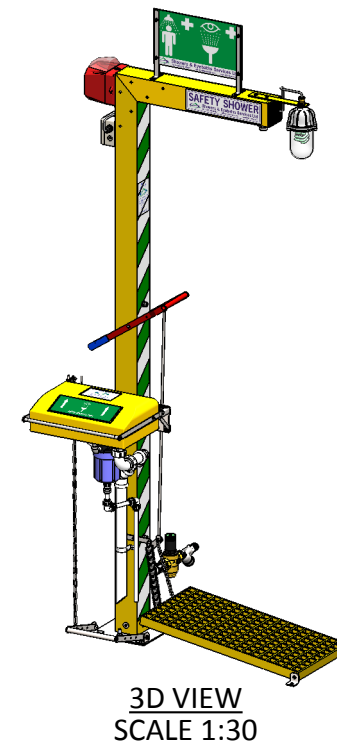
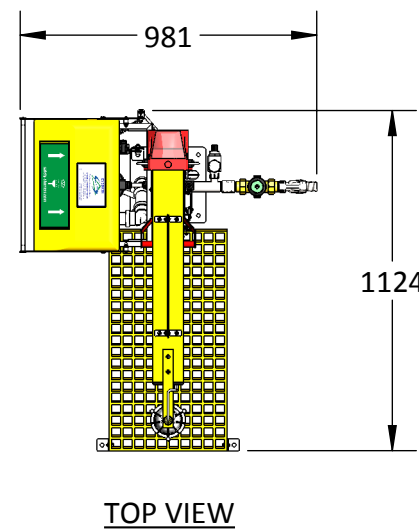
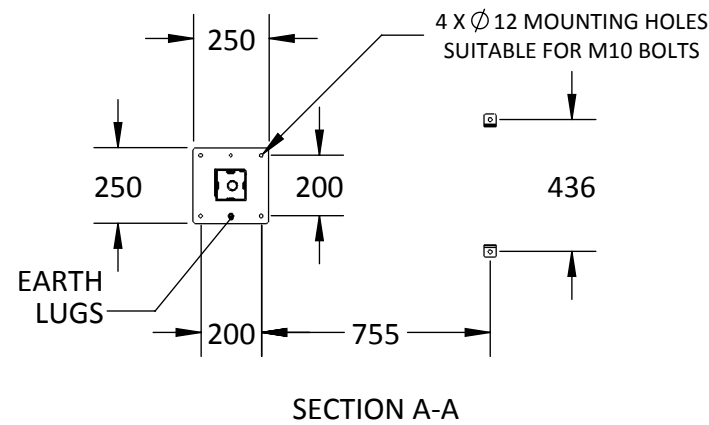


OPTIONAL EXTRAS (NOT SHOWN ON DRAWING)
 SUN SHELTER
 TRACE HEATING (FROST PROTECTION FOR EXTREME TEMPERATURES)

KEY FEATURES
 MANUFACTURED FROM GRP YELLOW OUTER CASE.
 ABS PIPEWORK & STAINLESS STEEL WHICH ARE CORROSION RESISTANT MATERIALS. GIVING SUPERIOR STRENGTH; A LONG LIFE, AND SUITABILITY FOR OUTSIDE USE.
 DESIGNED TO BE HIGHLY VISIBLE FOR EASE OF IDENTIFICATION & WORK FIRST TIME, EVERY TIME.
 THIS UNIT IS SELF DRAINING & THEREFORE CAN NOT OVERHEAT OR FREEZE.
 IDEAL FOR ANY ENVIRONMENT.
 MANUFACTURED IN ACCORDANCE TO ANSI Z358.1 - 2009.

TECHNICAL DETAILS
 WATER SUPPLY: 1 - 7 BAR (RECOMMEND 2 BAR)
 FLOW RATE: 75 LPM
 INLET: 1" BSP
 WEIGHT: 35-45 KG

ALL ELECTRICS SUITABLE FOR NON HAZARDOUS AREAS



REFERENCE ONLY

	NAME	DATE	DIMENSIONS ARE IN MILLIMETRES UNLESS SPECIFIED OTHERWISE	TITLE:	GFS3F MAINS FED SHOWER	REVISION	.
DRAWN:	P.S	12/08/2014					REV DATE:
PROPRIETARY AND CONFIDENTIAL THE INFORMATION CONTAINED IN THIS DRAWING IS THE SOLE PROPERTY OF SHOWERS & EYEBATHS SERVICES LTD. ANY REPRODUCTION IN PART OR AS A WHOLE WITHOUT THE WRITTEN PERMISSION OF Showers & Eyebaths services LTD IS PROHIBITED.			TOLERANCES: LINEAR: ALL DIMENSIONS ±5mm ANGULAR: ±0.5°	DWG NO.	SE-GA-GFS3	A3	SHOWERS & EYEBATHS Showers & Eyebaths Services Ltd. Safety House, 23c Sandwash Close, Rainford Industrial Estate, Rainford, Lancashire, WA11 8LY U.K. Tel + 44 (0) 1744 889677 Fax +44 (0) 1744 885663 e-mail: sales@safety-showers.com www.safety-showers.com
				DO NOT SCALE DRAWING	SCALE:1:25		

